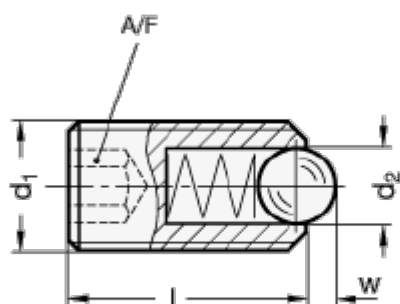


Article number: 206153M4KN

Description: E+G stainless steel spring plungers 615.3-M4-KN

## Measures



Thread locking **PFB**  
Polyamide patch  
for type **KN**



Thread locking **PFB**  
Polyamide patch  
for type **KSN**



Thread locking **MVK**  
Micro encapsulation precote  
(for all types)

A/F	= 2
d1	= M4
d2	= 2.5
l	= 12
Max. spring load in N	= 14.5
Preload spring pressure in N	= 8.6
w	= 0.8